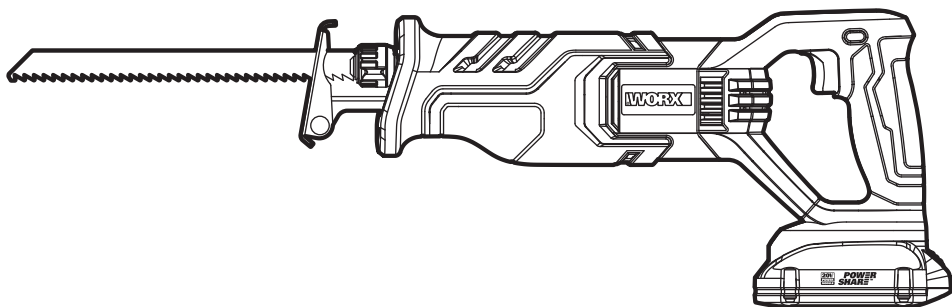


WORX®



20V^{MAX}
POWER
MODULE

Cordless Reciprocating Saw	EN	P02
Scie alternative sans fil	F	P12
Sierra de vaivén inalámbrica	ES	P22



HELPLINE NUMBER
NUMERO DU SERVICE D'ASSISTANCE
NUMERO DE LINEA DE AYUDA
1-866-354-WORX (9679)

WX500L WX500L.9

PRODUCT SAFETY



WARNING: Some dust created by power sanding, sawing, grinding, drilling and other construction activities contains chemicals known to the state of California to cause cancer, birth defects or other reproductive harm. Some examples of these chemicals are:

- Lead from lead-based paints;
- Crystalline silica from bricks and cement and other masonry products and
- Arsenic and chromium from chemically-treated lumber.

Your risk from these exposures varies, depending on how often you do this type of work. To reduce your exposure to these chemicals: work in a well ventilated area, and work with approved safety equipment, such as those dust masks that are specially designed to filter out microscopic particles.



WARNING: This product can expose you to chemicals including lead, phthalate or bisphenol A which are known to the State of California to cause cancer, birth defects or other reproductive harm.

Wash your hands after use. For more information go to www.P65Warnings.ca.gov.

GENERAL POWER TOOL SAFETY WARNINGS

2



WARNING: Read all safety warnings and instructions. Failure to follow the warnings and instructions may result in electric shock, fire and/or serious injury.

Save all warnings and instructions for future reference.

The term “power tool” in the warnings refers to your mains-operated (corded) power tool or battery-operated (cordless) power tool.

1. WORK AREA SAFETY

- Keep work area clean and well lit.** Cluttered or dark areas invite accidents.
- Do not operate power tools in explosive atmospheres, such as in the presence of flammable liquids, gases or dust.** Power tools create sparks which may ignite the dust or fumes.
- Keep children and bystanders away while operating a power tool.** Distractions can cause you to lose control.

2. ELECTRICAL SAFETY

- Power tool plugs must match the outlet. Never modify the plug in any way. Do not use any adapter plugs with grounded power tools.** Unmodified plugs and matching outlets will reduce risk of electric shock.
- Avoid body contact with grounded surfaces such as pipes, radiators, ranges and refrigerators.** There is an increased risk

of electric shock if your body is grounded.

- Do not expose power tools to rain or wet conditions.** Water entering a power tool will increase the risk of electric shock.
- Do not abuse the cord. Never use the cord for carrying, pulling or unplugging the power tool. Keep cord away from heat, oil, sharp edges or moving parts.** Damaged or entangled cords increase the risk of electric shock.
- When operating a power tool outdoors, use an extension cord suitable for outdoor use marked “W-A” or “W”.** Use of a cord suitable for outdoor use reduces the risk of electric shock.
- If operating a power tool in a damp location is unavoidable, use a Ground Fault Circuit Interrupter (GFCI) protected supply.** Use of a GFCI reduces the risk of electric shock.

3. PERSONAL SAFETY

- Stay alert, watch what you are doing and use common sense when operating a power tool. Do not use a power tool while you are tired or under the influence of drugs, alcohol or medication.** A moment of inattention while operating power tools may result in serious personal injury.
- Use personal protective equipment. Always wear eye protection.** Protective equipment such as dust mask, non-skid safety shoes, hard hat, or hearing protection used for appropriate conditions will reduce personal injuries.
- Prevent unintentional starting. Ensure the switch is in the off-position before connecting to power source and/or battery pack, picking up or carrying the tool.** Carrying power tools with your finger on the switch or energising power tools that have the switch on invites accidents.
- Remove any adjusting key or wrench before turning the power tool on.** A wrench or a key left attached to a rotating part of the power tool may result in personal injury.
- Do not overreach. Keep proper footing and balance at all times. This enables better control of the power tool in unexpected situations.**
- Dress properly. Do not wear loose clothing or jewellery. Keep your hair and clothing away from moving parts.** Loose clothes, jewellery or long hair can be caught in moving parts.
- If devices are provided for the connection of dust extraction and collection facilities, ensure these are connected and properly used.** Use of dust collection can

reduce dust-related hazards.

- h) Do not let familiarity gained from frequent use of tools allow you to become complacent and ignore tool safety principles.** A careless action can cause severe injury within a fraction of a second.

4. POWER TOOL USE AND CARE

- a) Stay alert, watch what you are doing and use common sense when operating a power tool. Do not use a power tool while you are tired or under the influence of drugs, alcohol or medication.** A moment of inattention while operating power tools may result in serious personal injury.

- b) Use personal protective equipment. Always wear eye protection.** Protective equipment such as dust mask, non-skid safety shoes, hard hat, or hearing protection used for appropriate conditions will reduce personal injuries.

- c) Prevent unintentional starting. Ensure the switch is in the off-position before connecting to power source and/or battery pack, picking up or carrying the tool.** Carrying power tools with your finger on the switch or energising power tools that have the switch on invites accidents.

- d) Remove any adjusting key or wrench before turning the power tool on.** A wrench or a key left attached to a rotating part of the power tool may result in personal injury.

- e) Do not overreach. Keep proper footing and balance at all times. This enables better control of the power tool in unexpected situations.**

- f) Dress properly. Do not wear loose clothing or jewellery. Keep your hair and clothing away from moving parts.** Loose clothes, jewellery or long hair can be caught in moving parts.

- g) If devices are provided for the connection of dust extraction and collection facilities, ensure these are connected and properly used.** Use of dust collection can reduce dust-related hazards.

- h) Do not let familiarity gained from frequent use of tools allow you to become complacent and ignore tool safety principles.** A careless action can cause severe injury within a fraction of a second.

5. BATTERY TOOL USE AND CARE

- a) Recharge only with the charger specified by the manufacturer.** A charger that is suitable for one type of battery pack may create a risk of fire when used with another battery pack.

- b) Use power tools only with specifically**

designated battery packs. Use of any other battery packs may create a risk of injury and fire.

- c) When battery pack is not in use, keep it away from other metal objects, like paper clips, coins, keys, nails, screws or other small metal objects, that can make a connection from one terminal to another.** Shorting the battery terminals together may cause burns or a fire.

- d) Under abusive conditions, liquid may be ejected from the battery; avoid contact. If contact accidentally occurs, flush with water. If liquid contacts eyes, additionally seek medical help.** Liquid ejected from the battery may cause irritation or burns.

- e) Do not use a battery pack or tool that is damaged or modified.** Damaged or modified batteries may exhibit unpredictable behaviour resulting in fire, explosion or risk of injury.

- f) Do not expose a battery pack or tool to fire or excessive temperature.** Exposure to fire or temperature above 130 °C may cause explosion.

- g) Follow all charging instructions and do not charge the battery pack or tool outside the temperature range specified in the instructions.** Charging improperly or at temperatures outside the specified range may damage the battery and increase the risk of fire.

6. SERVICE

- a) Have your power tool serviced by a qualified repair person using only identical replacement parts.** This will ensure that the safety of the power tool is maintained.

- b) Never service damaged battery packs.** Service of battery packs should only be performed by the manufacturer or authorized service providers.

RECIPROCATING SAW SAFETY WARNINGS

- 1. Hold reciprocating saw by insulated gripping surfaces, when performing an operation where the cutting accessory may contact hidden wiring.** Cutting accessory contacting a "live" wire may make exposed metal parts of the power tool "live" and could give the operator an electric shock.
- 2. Use clamps or another practical way to secure and support the workpiece to a stable platform.** Holding the workpiece by hand or against your body leaves it unstable and may lead to loss of control.

SAFETY WARNINGS FOR BATTERY PACK

- 4
- a) **Do not dismantle, open or shred battery pack.**
 - b) **Do not expose battery pack to heat or fire. Avoid storage in direct sunlight.**
 - c) **Do not short-circuit a battery pack. Do not store battery packs haphazardly in a box or drawer where they may short-circuit each other or be short-circuited by other metal objects.** When battery pack is not in use, keep it away from other metal objects, like paper clips, coins, keys, nails, screws or other small metal objects, that can make a connection from one terminal to another. Shorting the battery terminals together may cause burns or fire.
 - d) **Do not remove battery pack from its original packaging until required for use.**
 - e) **Do not subject battery pack to mechanical shock.**
 - f) **In the event of battery leaking, do not allow the liquid to come in contact with the skin or eyes. If contact has been made, wash the affected area with copious amounts of water and seek medical advice.**
 - g) **Observe the plus (+) and minus (-) marks on the battery back and equipment and ensure correct use.**
 - h) **Do not use any battery pack which is not designed for use with the equipment.**
 - i) **Keep battery pack out of the reach of children.**
 - j) **Seek medical advice immediately if a cell or battery has been swallowed.**
 - k) **Always purchase the battery pack recommended by the device manufacturer for the equipment.**
 - l) **Keep battery pack clean and dry.**
 - m) **Wipe the battery pack terminals with a clean dry cloth if they become dirty.**
 - n) **Battery pack need to be charged before use. Always use the correct charger and refer to the manufacturer's instructions or equipment manual for proper charging instructions.**
 - o) **Do not leave battery pack on prolonged charge when not in use.**
 - p) **After extended periods of storage, it may be necessary to charge and discharge the battery pack several times to obtain maximum performance.**
 - q) **Battery pack gives its best performance when it is operated at normal room temperature (20 °C ± 5 °C).**
 - r) **When disposing of battery packs,**

keep battery packs of different electrochemical systems separate from each other.

- s) **Recharge only with the charger specified by WORX. Do not use any charger other than that specifically provided for use with the equipment.** A charger that is suitable for one type of battery pack may create a risk of fire when used with another battery pack.
- t) **Retain the original product literature for future reference.**
- u) **Use only the battery pack in the application for which it was intended.**
- v) **Remove the battery pack from the equipment when not in use.**
- w) **Dispose of properly.**

SYMBOLS

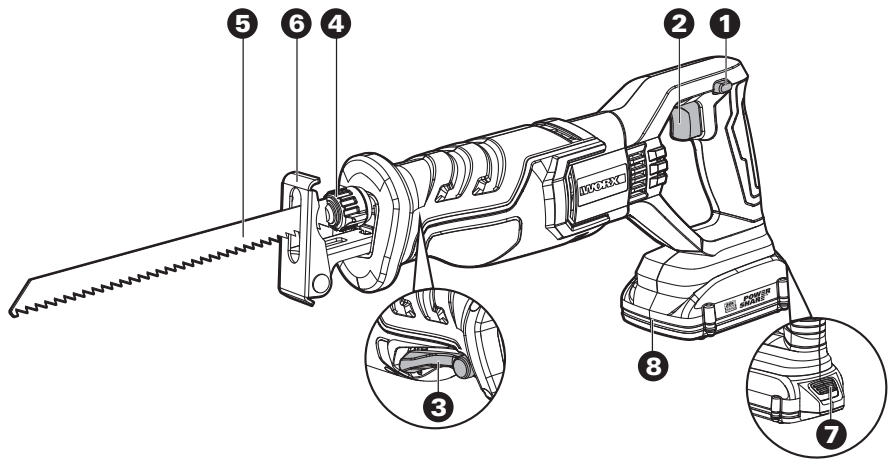
	To reduce the risk of injury, user must read instruction manual
	Warning
	Wear ear protection
	Wear eye protection
	Wear dust mask
	Do not expose to rain or water
	Do not burn
	Li-Ion battery, battery must be recycled
	Make sure the battery is removed prior to changing accessories.
	Wear protective gloves
	Saw with moderate pressure in order to achieve optimal and precise cutting results
	Wood
	Metal

	Aluminium
	Plastic
	Incorrect
	Correct
	High speed
	Low speed
	Lock
	Unlock



call2recycle®

POSITEC Inc. has established a partnership with the RBRC Corporation to recycle any Positec batteries with the RBRC-call2recycle seal. For environmental protection, please do not discard batteries in the trash. After the batteries' life cycle is ended, please call 1-800-822-8837 for a free service that will properly dispose of the battery.



6


COMPONENT LIST

1. LOCK-OFF BUTTON
2. ON/OFF SWITCH
3. FOOTPLATE ADJUSTMENT KNOB
4. TOOL-FREE BLADE CLAMP LEVER
5. BLADE
6. PIVOT FOOT PLATE
7. BATTERY PACK RELEASE BUTTON*
8. BATTERY PACK*

* Not all the accessories illustrated or described are included in standard delivery.

TECHNICAL DATA

Type **WX500L WX500L.9 (500- 519-designation of machinery, representative of Reciprocating Saw)**

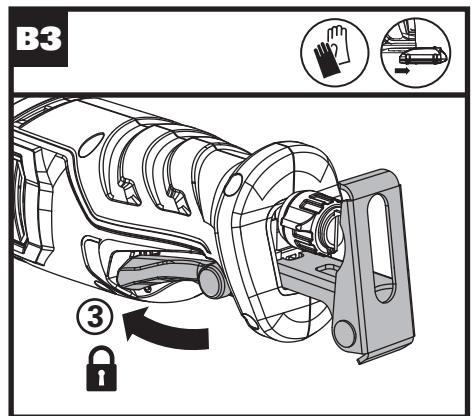
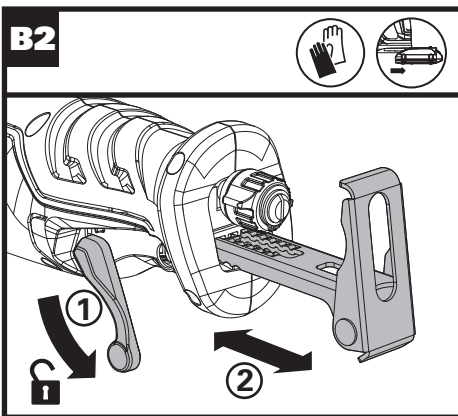
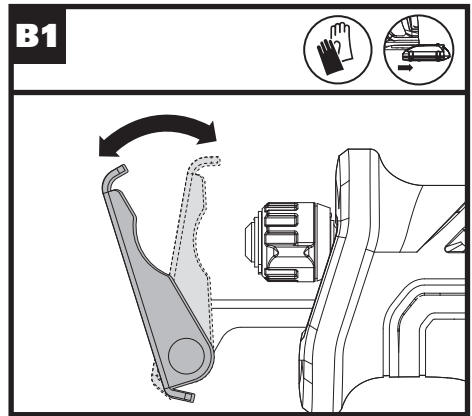
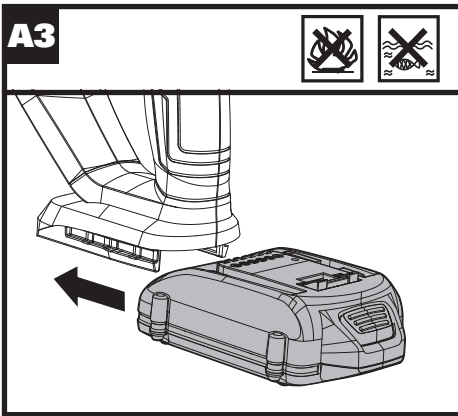
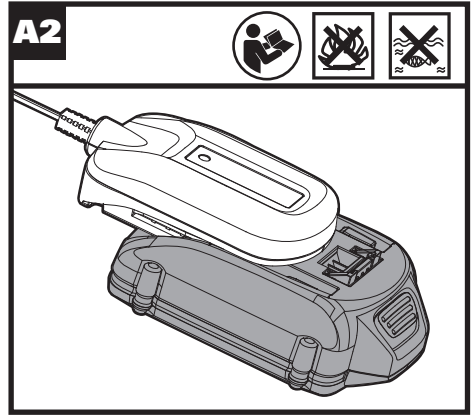
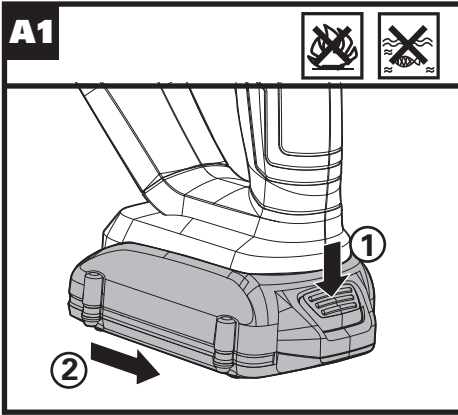
	WX500L	WX500L.9
Voltage	20V  Max**	
No-load speed	0-3000/min	
Stock length	13/16 inch	
Cutting capacity	Wood	3-15/16 inch
	Steel	3/8 inch
	PVC pipe	XX inch
Machine Weight	4.6 lbs	3.7 lbs

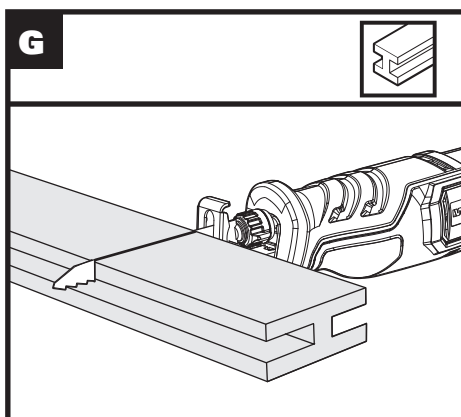
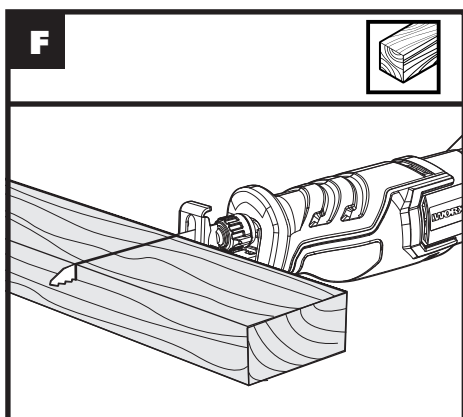
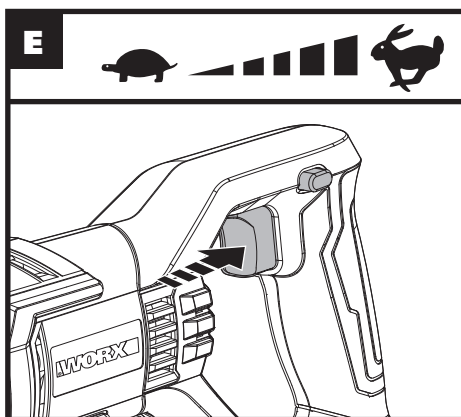
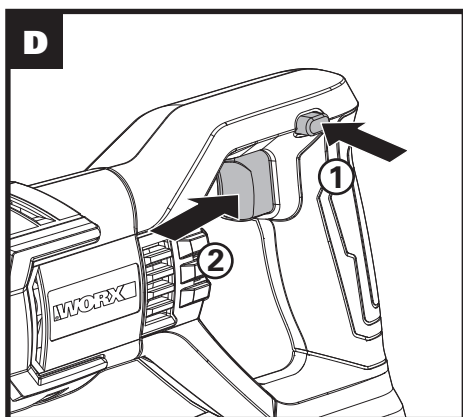
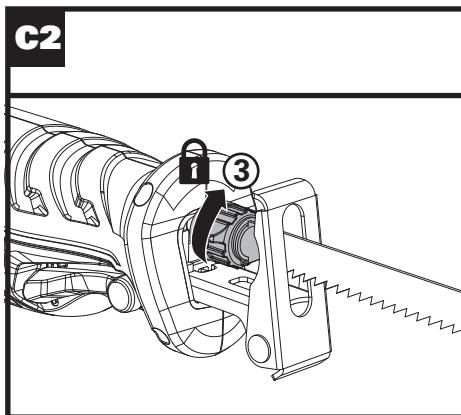
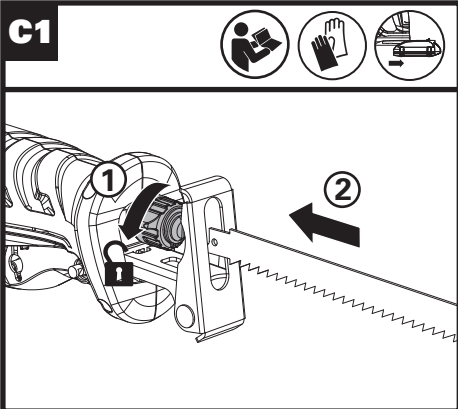
** Voltage measured without workload. Initial battery voltage reaches maximum of 20 volts. Nominal voltage is 18 volts.

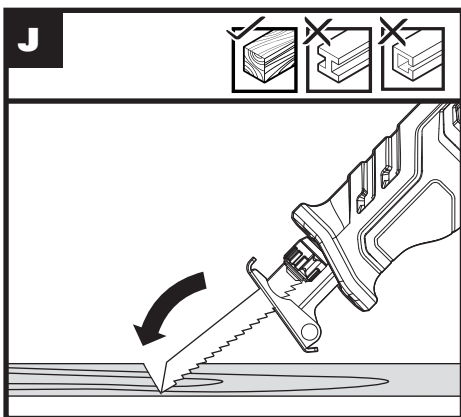
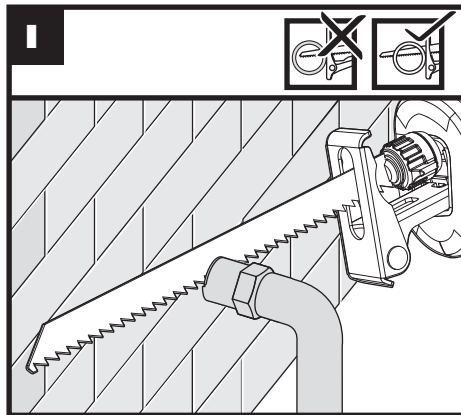
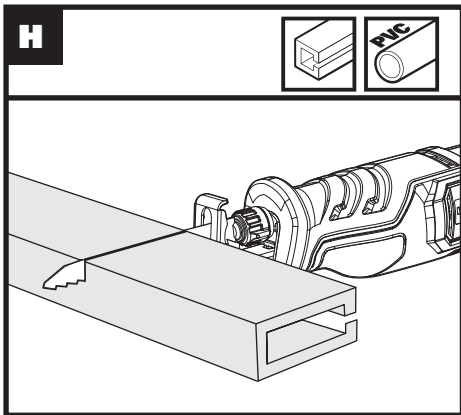
ACCESSORIES

	WX500L	WX500L.9
Blade for wood	1	1
Battery pack	1(WA3520)	/
Charger	1(WA3742)	/


Only use the appropriate accessories intended for this tool. Accessory information can be found on the product packaging, at a WORX dealer or on our website at www.worx.com.







OPERATING INSTRUCTIONS

 **NOTE:** Before using the tool, read the instruction book carefully.

ASSEMBLY AND OPERATION

Action	Figure
BEFORE OPERATION	
Removing The Battery Pack	See Fig. A1
Charging The Battery Pack NOTE: <ul style="list-style-type: none">• The battery is shipped uncharged. It must be fully charged before the first use.• More details can be found in charger's manual.	See Fig. A2
Installing The Battery Pack	See Fig. A3
Pivoting Blade Foot Adjustment	See Fig. B1, B2, B3
Tool-Less Blade Fitting NOTE: <ul style="list-style-type: none">• The blade should be inserted to the end while fitting.• After the blade is fit well, the tool-free blade clamp lever will return to original position automatically.	See Fig. C1, C2
OPERATION	
Safety On/Off Switch	See Fig. D
Variable Speed Control	See Fig. E
Wood Cutting	See Fig. F
Metal Cutting	See Fig. G
Plastic / Aluminum Cutting	See Fig. H
Flush Cutting	See Fig. I
Pocket Cutting (Soft Materials Only)	See Fig. J

NOTE:
Blades for steel/ Plastic / Aluminum are not supplied. They are sold separately.

WORKING HINTS FOR YOUR CORDLESS RECIPROCATING SAW

If your power tool becomes too hot, run no-load for 2-3 minutes to cool the motor. Avoid prolonged usage at very low speeds.

Always use a blade suited to the material and material thickness to be cut. Always ensure the work-piece is firmly held or clamped to prevent movement. Any movement of the material may affect the quality of the cut. The blade cuts on the upward stroke and may chip the uppermost surface or edges of your work piece when cutting, ensure your uppermost surface is a non-visible surface when your work is finished.

MAINTENANCE AND SERVICING

Remove the battery pack from the tool before carrying out any adjustment, servicing or maintenance.

Your tool requires no additional lubrication or maintenance.

There are no user serviceable parts in your power tool. Never use water or chemical cleaners to clean your power tool. Wipe clean with a dry cloth. Always store your power tool in a dry place. Keep the motor ventilation slots clean. Keep all working controls free of dust. Occasionally you may see sparks through the ventilation slots. This is normal and will not damage your power tool.

FOR BATTERY TOOLS:

The ambient temperature range for tool and battery use and storage is 0°C-45°C.

The recommended ambient temperature range for the charging system during charging is 0°C-40°C.



Copyright © 2018, Positec. All Rights Reserved.

Copyright © 2018, Positec. Tous droits réservés.

© Derechos reservados 2018, Positec. Todos los derechos reservados.